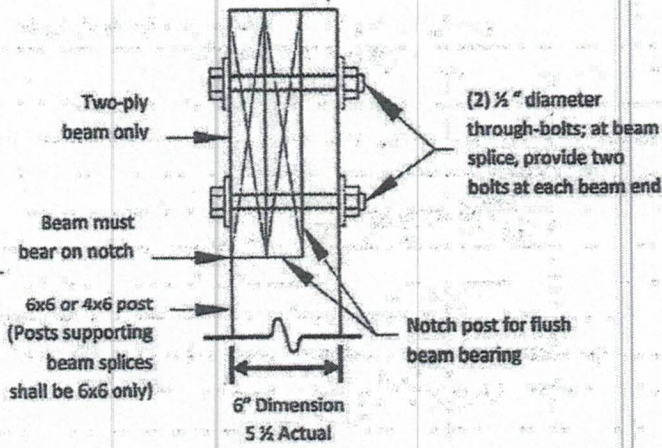
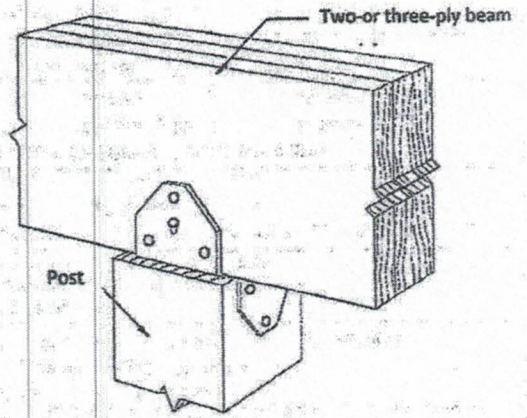


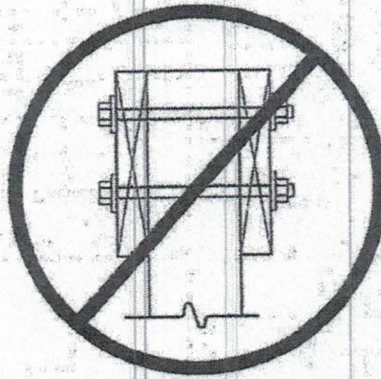
**Figure 7. Post to Beam Connection**



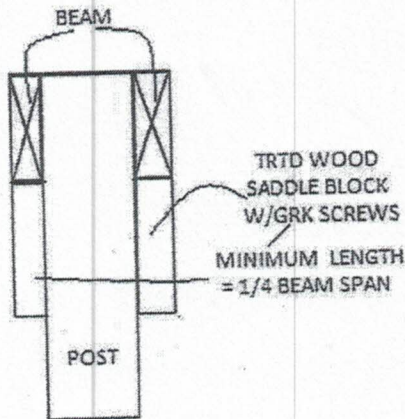
**Notched Post**



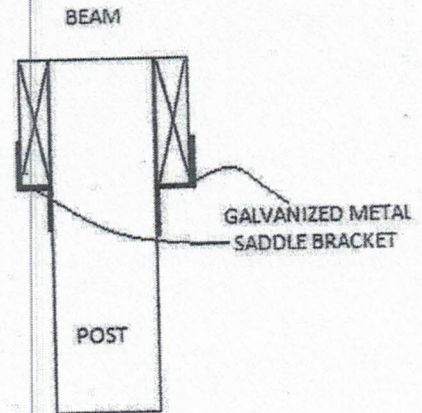
**Post Cap**



**Prohibited Connection**



**TRTD WOOD SADDLE**



**GALVANIZED METAL SADDLE**